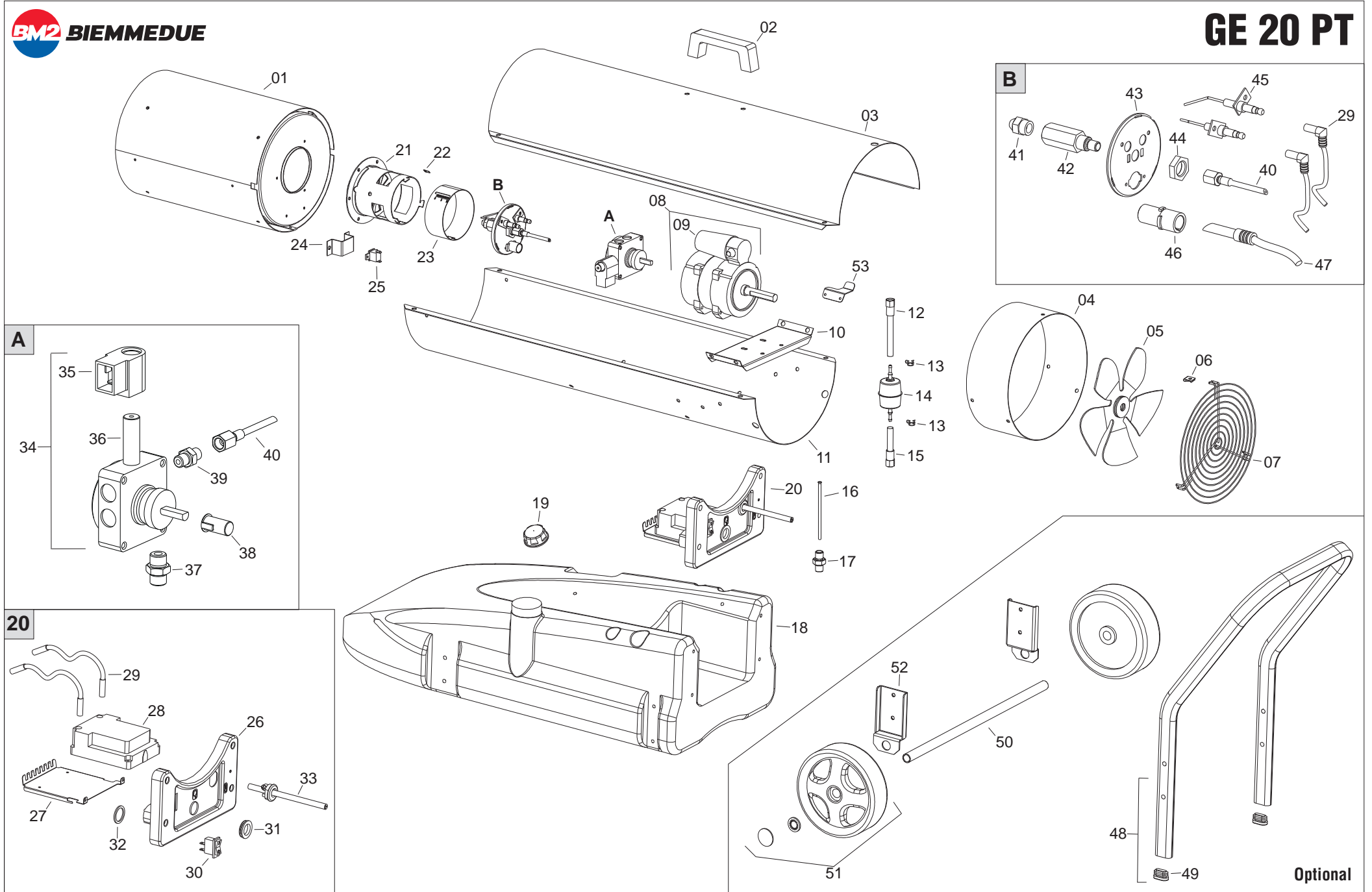




GE 20 PT



Pos.	Cod.	LEGENDA	LEGENDE	NOMENKLATUR	PART LIST
01	G06251	Camera di combustione	Chambre de combustion	Brennkammer	Combustion chamber
02	C10202	Maniglia PL nera	Poignée	Handgriff	Handle
03	G06252-3001	Scocca superiore	Carrosserie sup.	Haube	Upper body
04	G06253-3001	Anello protezione ventilatore	Anneau protection ventilateur	Ring Schutzeinrichtung Ventilator	Fan protection ring
05	T10251	Ventola Ø 200 31°	Ventilateur Ø 200 31°	Ventilator Ø 200 31°	Fan Ø 200 31°
06	M20412	Piastrina doppia U42-182	Plaque elastique U42-182	Klemmutter U42-182	Elastic Plate U42-182
07	P30160	Griglia aspirazione	Grille protection	Schutzgitter	Inlet grille
08	E10690	Motore 75W c/condens.	Moteur 75W avec condensateur	Motor 75W mit Kondensator	Motor 75W with condenser
09	E11243	Condensatore 4 µF	Condensateur 4 µF	Kondensator 4 µF	Condenser 4 µF
10	G06254	Supporto motore ventola	Bride support moteur	Motor Flansch	Motor flange
11	G06430-3001	Scocca inferiore	Carrosserie Inf.	Karosserie Unterteil	Lower body
12	I40327	Tubo BP 1/4" F L.180mm	Tube BP 1/4" F L.180mm	Rohr BP 1/4" F L.180mm	Tube BP 1/4" F L.180mm
13	C30729	Fascetta per tubo	Collier	Schelle	Clamp
14	I30414	Filtro gasolio compl.	Filtre avec cartouche	Filter komp.	Filter with cartridge
15	I40326	Tubo BP 1/4" F L.85mm	Tube BP 1/4" F L.85mm	Rohr BP 1/4" F L.85mm	Tube BP 1/4" F L.85mm
16	I30700	Pescante L.120mm	Pascante L.120mm	Pascante L.120mm	Pascante L.120mm
17	I30737	Nipplo OT 1/4" M - M12x1,75 M	Nipple OT 1/4" M - M12x1,75 M	Nipple OT 1/4" M - M12x1,75 M	Nipple OT 1/4" M - M12x1,75 M
18	P50140	Serbatoio gasolio	Réservoir fuel	Tank	Fuel tank
19	C30386	Tappo bocchettone	Bouchon	Pfropfen	Drain plug
20	G00297	Quadro elettrico	Coffret électrique	Elektrokasten	El. componets drawer
21	G06259	Boccaglio	Gueulard	Brennröhr	Blast tube
22	E20671	Morsettiera terra	Barrette de connection	Klemmreiche	Terminal board
23	G06260	Anello regolazione aria	Volet réglage air	Brennluftklappe	Air regulation flap
24	G06221	Staffa fissaggio capsula	Bride de fixation	Kapselbugelbefestigung	Box fixing bracket
25	E50109	Capsula termostatica Limit	Thermostat bilame Limit	Thermostat Limit	Limit Thermostat
26	C10330	Supporto quadro elettrico	Support coffret électrique	Steuergeräthalerung	Electr. components drawer
27	G06431	Piastra supporto elementi elettrici	Plaqu support	Tragplatte für elektrische Teile	Plate for electrical components
28	E40123	Apparecchiatura BERTELLI OBI.0320	Coffret BERTELLI OBI.0320	Steuergerät BERTELLI OBI.0320	Control box BERTELLI OBI.0320
29	G02077	Cavo A.T. L.500m	Conn. câble L.500m H.T.	H.S. Anschluß L.500m	H.T. Cable connect. L.500m
30	E10119	Interruttore bipolare 0 - 1	Interrupteur 0 - 1	Schalter 0 - 1	Switch 0 - 1
31	E20418	Protezione pulsante blocco	Protection bouton d'arrêt	Blockierschalterschutz	Stop button protection
32	M20129	Rondella Ø23 x Ø29,5 x 2	Rondelle Ø23 x Ø29,5 x 2	Abstandsring Ø23 x Ø29,5 x 2	Washer Ø23 x Ø29,5 x 2
33	E30448	Cavo elettrico c/spina e morsettiera	Câble avec fiche et presse câble	Kabel mit steckdose und kabel Führung	El. wire with plug and cable fastener
34	T20449	Pompa Danfoss BFA01	Pompe Danfoss BFA01	Pumpe Danfoss BFA01	Pump Danfoss BFA01
35	T20114	Bobina E.V. BFA01 Danfoss	Bobine E.V. BFA01 Danfoss	Spule BFA01 Danfoss	Solenoid spool BFA01 Danfoss
36	T20117	Corpo E.V. Danfoss	Electrovanne Danfoss	Magnetventil Danfoss	Solenoid valve Danfoss
37	I20104	Nipplo FE 1/4" MM	Nipplo FE 1/4" MM	Nipplo FE 1/4" MM	Nipplo FE 1/4" MM
38	E10698	Giunto Pl. mot.-pompa K1	Accouplement Pl. K1	PlastikKuplung K1	Coupling K1
39	I20115	Nipplo FE 1/8" MM	Nipple FE 1/8" MM	Nipple FE 1/8" MM	Nipple FE 1/8" MM
40	I40192	Microtubo	Microtube	Microschlauch	Micropipe
41	T20338	Ugello 0,40 GPH 80°S	Gicleur 0,40 GPH 80°S	Dü se 0,40 GPH 80°S	Nozzle 0,40 GPH 80°S
42	I33007	Canotto portaugello	Support gicleur	Düsehalter	Nozzle support
43	P20527	Flangia supp. Bruciatore Ø 80mm	Bride Brûleur Ø 80mm	Brenner Flansch Ø 80mm	Burner flange Ø 80mm
44	I31034	Controdado OT. M14	Ecrou M14	Mutter M14	Nut M14
45	E10248	Elettrodo c/piastrina	Électrode	Elektrode	Electrode
46	E50327	Protezione fotoresistenza	Photoresistance protection	Photozellenschutz	Protection de la photoresistance
47	E50326	Fotoresistenza BERTELLI 17843	Photoresis. BERTELLI 17843	Fotozelle BERTELLI 17843	Ld ph. Unit BERTELLI 17843
48	P20188-9005	Maniglia/Piede	Poignée/Support	Handgriff/Stütze	Handle/Support
49	C30361	Tappo copritesta	Bouchon	Gummifuss	Plug
50	G06432-9005	Assale	Essieu	Achse	Wheel axle
51	C10529	Ruota Ø 150 - Ø 15	Roue Ø 150 - Ø 15	Rad Ø 150 - Ø 15	Wheel Ø 150 - Ø 15
52	G06433-9005	Staffa per assale ruote	Support pur essieu roues	Räder Bügel	Axle support
53	G06434-9005	Gancio cavo alimentazione	Crochet câble d'alimentation	Haken Netzkabel	Power cord hook